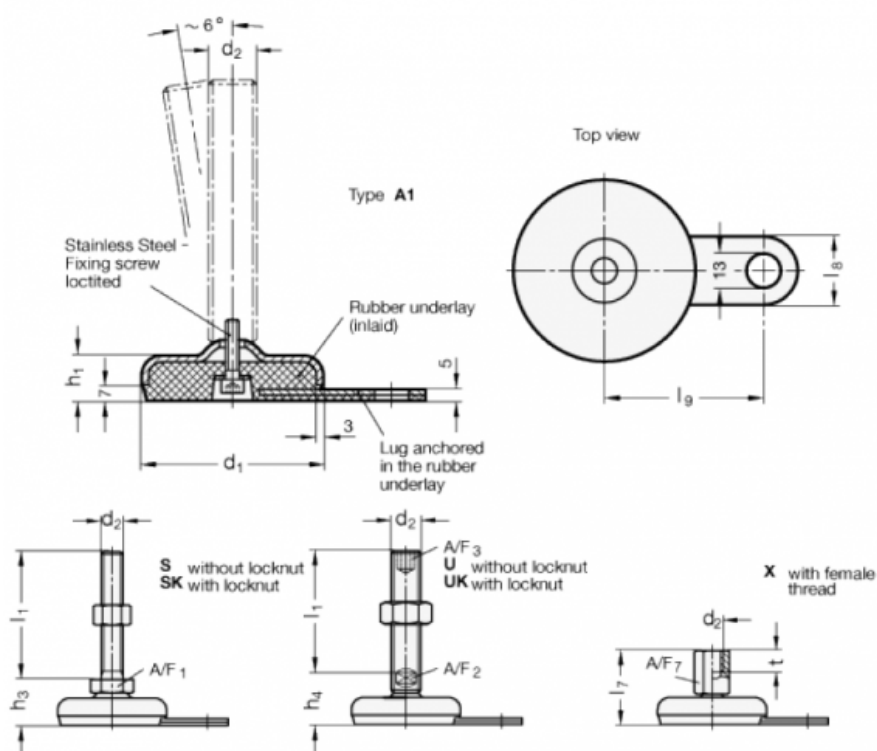


# Data Sheet



Article number: 2032100M1046A1X  
Description: E+G levelling foot  
GN 32-100-M10-46-A1-X  
Note: X With female thread, External hexagon

## Measures



A/F7	= 14
d1	= 100
d2	= M10
h1	= 21
l7	= 46
l8	= 30
l9	= 80
t	= 10